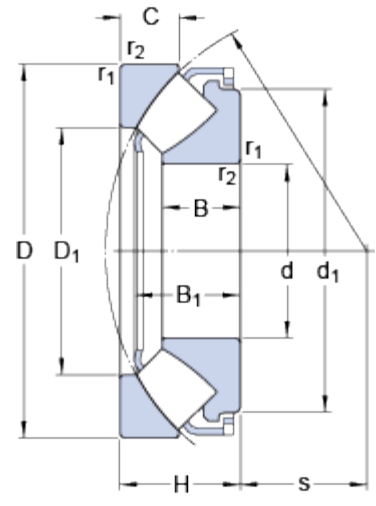




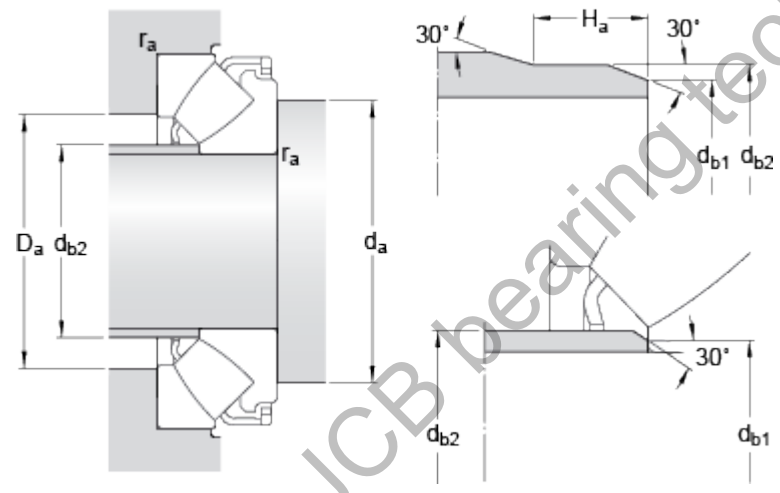
# 29244

## Dimensions



$d$	220	mm
$D$	300	mm
$H$	48	mm
$d_1$	≈ 280	mm
$D_1$	≈ 252	mm
$B$	30	mm
$B_1$	43.4	mm
$C$	24.5	mm
$s$	117	mm
$r_{1,2}$	min. 2	mm

## Abutment dimensions



$d_a$	min. 255	mm
$d_{b1}$	max. 224.5	mm
$d_{b2}$	max. 227	mm
$H_a$	min. 17	mm
$D_a$	max. 271	mm
$r_a$	max. 2	mm

## Calculation data

Basic dynamic load rating	$C$	690	kN
Basic static load rating	$C_0$	3000	kN
Fatigue load limit	$P_u$	310	kN
Reference speed		1300	r/min
Limiting speed		2200	r/min
Minimum axial load factor	$A$	0.86	

## Mass

Mass bearing		10	kg
--------------	--	----	----